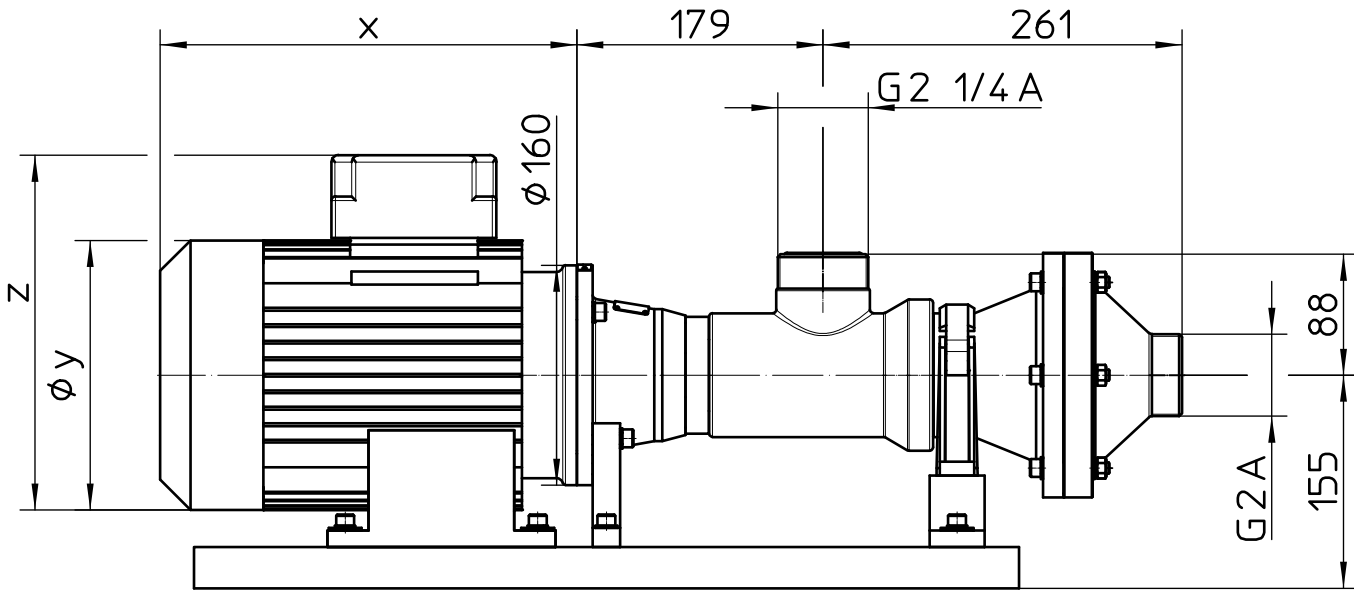


Motor Moteur		kW
n=		min ⁻¹
x=		mm
φy=		mm
z=		mm



Konsole PP
 Base plate PP
 Console PP

